

BATTEN BAR

SPECIFICATIONS

MEMBRANE ATTACHMENT TO LIGHTWEIGHT INSULATING CONCRETE, WOOD FIBER/TECTUM OR POURED GYPSUM ROOFDECKS

COMPOSITION

ES Products Batten Bar is precision formed from .040" thick Galvalume® coated steel to prevent corrosion. The 100 ft. long 1" wide coils include pre-punched holes 3" o.c. Ends are rounded and edges deburred.

ES Products Batten Bar is designed for use with various length Twin Loc tubes. Tube lengths are: 1.4" 1.8", 2.8", 3.8", 4.8".

TECHNICAL DATA

Approvals: ES Products Batten Bar maintains Factory Mutual and Miami-Dade County Approvals.

Field Testing: On-site withdrawal testing should always be performed to evaluate the ability of the roofing substrate to satisfactorily accept and retain fasteners. Such testing may alter fastener selection and modify applicable fastening patterns. The Twin Loc tube should always be embedded into the structural roof deck to a depth of at least 1".

INSTALLATION

Equipment: Use a standard air hammer fitted with an ES Products nose piece to set the Twin Loc tube. Actuate staple with an ES Products Twin Loc Driver.

Method: Uncoil batten bar on roofing substrate. Start at one end of coil and fasten towards other end to preclude bowing of batten. Drive Twin Loc tubes perpendicular to roofing surface through pre-punched holes in batten. Seat fastener and batten flush with roofing surface.

Operation: When Twin Loc staple is driven, its dual wire legs diverge, anchoring the fastener and batten bar to the substrate. Uplift resistance may vary depending on the density and integrity of the substrate.

AVAILABILITY

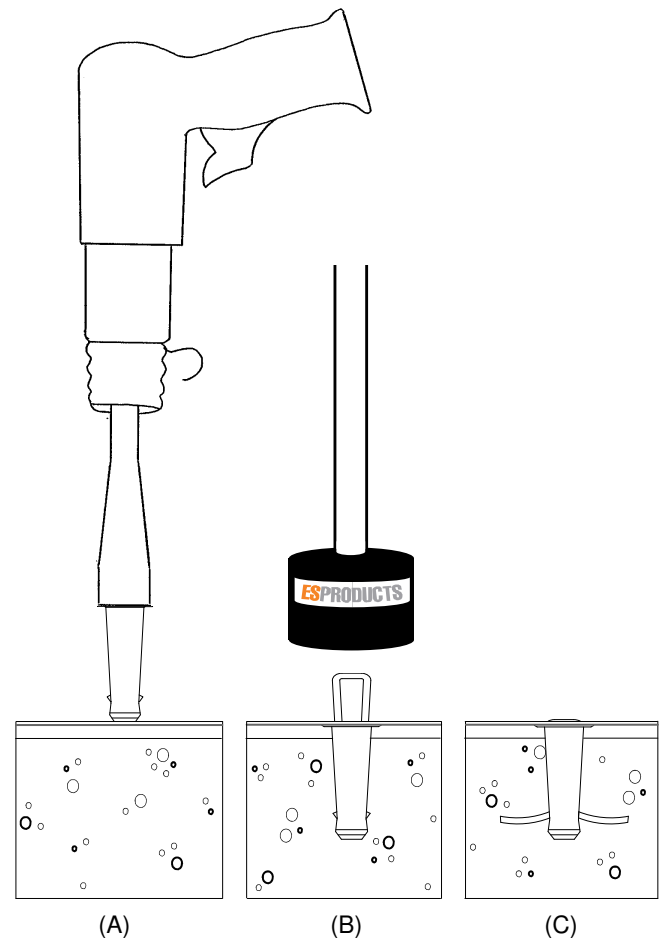
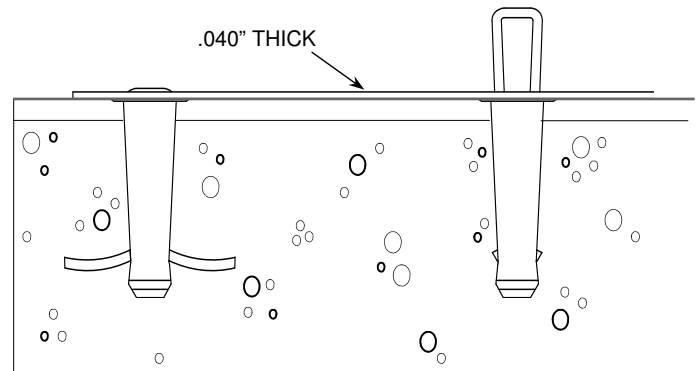
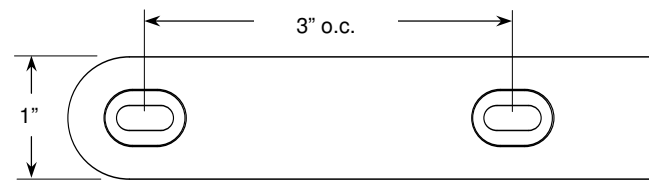
Batten Bar is manufactured only by ES Products and distributed by leading roofing material and equipment wholesalers throughout the United States.

PACKAGING

One coil (100 linear ft.) per carton.
Shipping weight: 13 lbs per carton.
Stretch wrapped and palletized, 40 cartons per pallet.

PROUDLY MADE IN THE U.S.A.

Warranty: ES Products warrants its products for one year from date of sale against defective workmanship and material, and its liability therefore shall be limited to replacing defective products reported defective during the warranty period. ES Products is not responsible for any failure attributable to improper use or installation in any manner inconsistent with manufacturer's specifications. THIS WARRANTY IS IN LIEU OF ANY OTHER WARRANTY, EXPRESS OR IMPLIED, ALL OF WHICH ARE EXPRESSLY DISCLAIMED INCLUDING ANY WARRANTY OF MERCHANTABILITY AND ANY WARRANTY OF FITNESS FOR PARTICULAR USE. This warranty provides specific legal rights and remedies that may vary from state to state.



(A) Use a standard air hammer fitted with an ES Products nose piece to set the Twin Loc tube. (B) Actuate the staple with an ES Products Twin Loc Driver. (C) Fully actuated staple in roofdeck.

ESPRODUCTS

280 Franklin Street • Bristol, RI 02809
800-493-ROOF (7663) • esproducts.com