

PRODUCT DESCRIPTION

TRUFAST[®] VERSA-FAST[™] Fasteners are engineered to secure insulation, cover boards and base sheets to light weight insulating concrete (LWIC) and gypsum decks. The Versa-Fast Fastener features an exclusive thread

design engineered for exceptional pull out. When used in conjunction with VERSA-FAST[™] Metal Plates, multiple fasteners can be installed to achieve the required minimum pull out value.

APPROPRIATE ACCESSORIES

Use with 3" TRUFAST[®] VERSA-FAST[™] Metal Plates.

MATERIAL SPECIFICATIONS

Material: SAE C1022, heat treated
Coating: Tru-Kote[™] Epoxy E-Coat

CODE APPROVALS & LISTINGS



FM Global



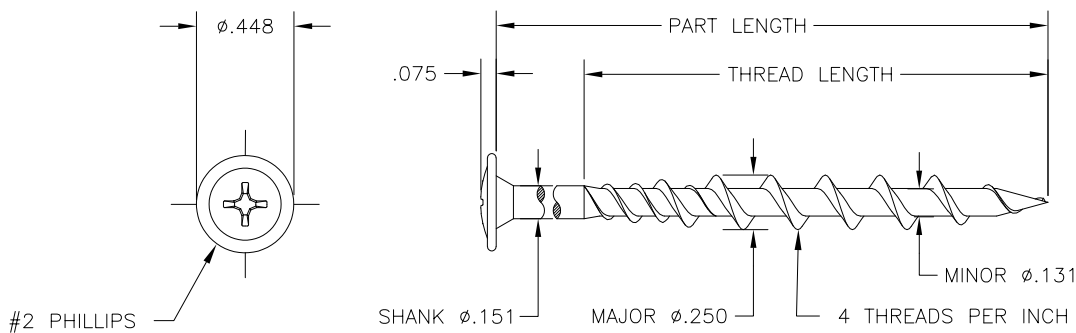
State of Florida
FL#:4500



PRODUCT SELECTION

Part Number	Part Length	Thread Length	Pkg. Qty.	Pkg. Wt.	Pallet Qty.
VF-2250	2-1/4" 57.2 mm	2.125" (Full) 54.0 mm	1,000/Carton	19.0 lbs.	80,000
VF-3250	3-1/4" 82.5 mm	2.125" (Full) 54.0 mm	1,000/Carton	20.0 lbs.	80,000
VF-4250	4-1/4" 107.5 mm	2.125" (Full) 54.0 mm	1,000/Carton	33.0 lbs.	80,000

PRODUCT SPECIFICATIONS



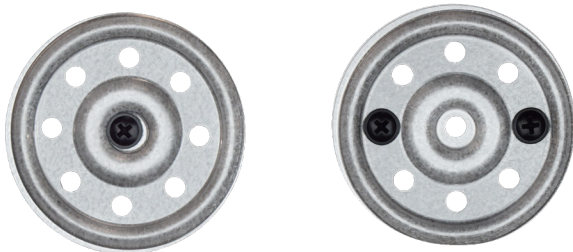
PERFORMANCE DATA

Property	Standard	Average Ultimate Value
Tensile Strength	ASTM F606-10	1910 lbf.
Shear Strength	AISI S904-13	1355 lbf. (thread zone)
Corrosion Resistance	FM 4470, ASTM D6294, DIN 50018	< 15% Red Rust after 30 cycles

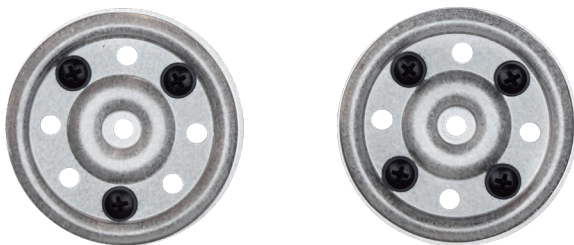
Substrate	Average Ultimate Pullout
Aggregate Light Weight Insulating Concrete (LWIC) (63 pcf. density, 370 psi. compressive strength)	190 lbs. (one fastener per plate)
Cellular Light Weight Insulating Concrete (LWIC) (41 pcf. density, 290 psi. compressive strength)	320 lbs. (one fastener per plate)
Gypsum (93 pcf. density, 340 psi. compressive strength)	350 lbs. (one fastener per plate)

INSTALLATION GUIDELINES

For LWIC Decks (Aggregate & Cellular) and Gypsum Decks: Using the #2 Phillips drive bit provided and 0-1500 rpm screw gun, install the VERSA-FAST™ Fastener and VERSA-FAST™ Metal Plate through the substrate and into the approved deck. The fastener shall penetrate the approved deck a minimum of 2". Care should be taken to orient the fastener perpendicular to the deck and not to overdrive the fastener to prevent damage to the insulation, cover board or base sheet. Care should also be taken to avoid stripping out the fastener by over driving the fastener into the LWIC or Gypsum deck.



Four (4) of many installation configurations available when using the VERSA-FAST Fasteners & Metal Plates



DISCLAIMER

The information provided here is subject to change without notice. The performance specifications published in this TRUFAST® product literature are based on controlled laboratory tests and are intended as a guideline only. They are not guaranteed in any way by the ALTENLOH, BRINCK & CO. US, INC., since building design, engineering, and construction, including workmanship and materials, are beyond the control of the manufacturer. The manufacturer recommends that pull-out tests be conducted to verify the substrate provides adequate pull-out values.



ALTENLOH, BRINCK & CO. US, INC.

2105 County Road 12C • Bryan, OH 43506
 Phone: 419-636-6715 or 800-443-9602 • Fax: 419-636-1784
 Email: salesteam@trufast.com • www.trufast.com